

Datasheet - RDMWS

Command and signalling devices / Push buttons and pilot lights - "R" Program / RD - Push button



- Push button with membrane
- Symbols still clearly visible under transparent membrane

(Minor differences between the printed image and the original product may exist!)

Ordering details

| | |
|--------------------------|-------------|
| Product type description | RDMWS |
| Article number | 101188261 |
| EAN Code | |
| eCl@ss | 27-37-12-13 |

Approval

Approval



Global Properties

| | |
|--------------------------------------|--|
| Permanent light | RD - Push button with membrane |
| Standards | IEC/EN 60947-1, EN 60947-5-1 |
| Compliance with the Directives (Y/N) | No |
| Suitable for safety functions (Y/N) | No |
| Mounting | mounting flange RLM |
| Materials | |
| - Material of the operators | Aluminium |
| - Material of the front ring | Aluminium |
| Design | Embeddable button - Front plate mounting |
| Form | Round |
| Color | |

| | |
|-----------------------------------|---------------------------------|
| - Colour of the operating element | <input type="checkbox"/> White |
| - Colour of the front ring | <input type="checkbox"/> Silver |
| Weight | 40 |
| Can be illuminated (Y/N) | No |
| With membrane (Y/N) | Yes |

Mechanical data

| | |
|-------------------------------------|-----------------------|
| Mechanical life | 10.000.000 operations |
| Switching frequency | 1200 |
| Actuating force | 2 |
| Actuating stroke | 4 |
| restistance to shock | < 50 |
| Latching (Y/N) | No |
| Unlocking type | without |
| Probing possible (Y/N) | Yes |
| mounting flange available (Y/N) | Yes |
| Front plate thickness | |
| - min. front plate thickness | 1 |
| - max. front plate thickness | 6 |
| Tightening torque for fixing screws | 2 |

Ambient conditions

| | |
|--|--------------------------------|
| Ambient temperature | |
| - Min. environmental temperature | -25 |
| - Max. environmental temperature | +75 |
| Storage and transport temperature | |
| - Min. Storage and transport temperature | - |
| - Max. Storage and transport temperature | - |
| Fully insulated (Y/N) | Yes |
| Sealing type | membrane, lip seal, Form seals |
| Protection class | IP65 |

LED switching conditions display

| | |
|---------------------------|----|
| With integrated LED (Y/N) | No |
|---------------------------|----|

Dimensions

| | |
|---------------------------|------------|
| Dimensions | |
| - Height | 12 |
| - Diameter total | 39.5 |
| Height of touch surface | 1.5 |
| Diameter of touch surface | 28 |
| Hole, diameter | 22.3 + 0,4 |
| Spacing | 40 x 60 |

notice

The membrane protects the button against grinding dust or other pasty, viscous substances.

Included in delivery

Mounting flange RLM (1188815) is included in delivery

Documents

Operating instructions and Declaration of conformity (it) 1 MB, 13.06.2019

Code: mrl_programme-e-n-r_it

Operating instructions and Declaration of conformity (en) 1 MB, 06.11.2018

Code: mrl_programme-e-n-r_en

Operating instructions and Declaration of conformity (pl) 1 MB, 13.06.2019

Code: mrl_programme-e-n-r_pl

Operating instructions and Declaration of conformity (jp) 2 MB, 28.06.2017

Code: mrl_programme-e-n-r_jp

Operating instructions and Declaration of conformity (pt) 1 MB, 21.12.2018

Code: mrl_programme-e-n-r_pt

Operating instructions and Declaration of conformity (de) 1 MB, 06.11.2018

Code: mrl_programme-e-n-r_de

Operating instructions and Declaration of conformity (es) 1 MB, 05.12.2018

Code: mrl_programme-e-n-r_es

Operating instructions and Declaration of conformity (nl) 1 MB, 05.12.2018

Code: mrl_programme-e-n-r_nl

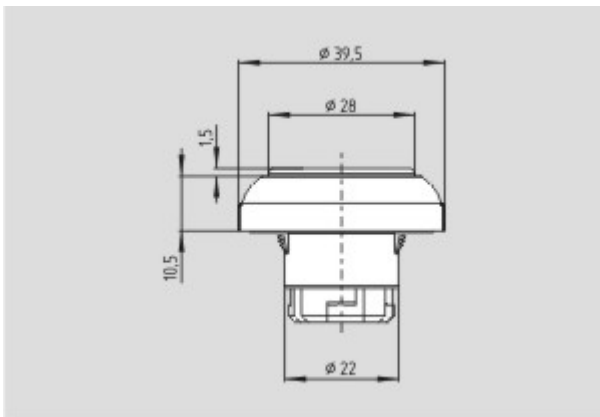
Operating instructions and Declaration of conformity (fr) 1 MB, 05.12.2018

Code: mrl_programme-e-n-r_fr

Operating instructions and Declaration of conformity (cn) 2 MB, 21.06.2017

Code: mrl_programme-e-n-r_cn

Images



Dimensional drawing (basic component)

System components

contact element



contact element RF

- Screw connection
- 1-2 (Contact labelling)

spare part



mounting flange (R)

K.A. Schmersal GmbH & Co. KG, Möddinghofe 30, D-42279 Wuppertal

The data and values have been checked thoroughly. Technical modifications and errors excepted.

Generiert am 14.11.2019 - 09:08:14h Kasbase 3.3.0.F.64I