

## Datasheet - NDRZ50GR/SW

Command and signalling devices / Push buttons and pilot lights - "N" Program / NDR -  
Emergency stop / Mushroom button



• with latching

(Minor differences between the printed image and the original product may exist!)

### Ordering details

Product type description	NDRZ50GR/SW
Article number	101179796
EAN Code	
eCl@ss	27-37-12-12

### Approval

Approval	USA/CAN BG
----------	---------------

### Global Properties

Permanent light	NDR - Mushroom button
Standards	IEC/EN 60947-1, EN 60947-5-1
Compliance with the Directives (Y/N)	Yes
Suitable for safety functions (Y/N)	No
Mounting	mounting flange EFM
Materials	
- Material of the operators	ABS
- Material of the front ring	ABS, Chromium-plated
- Material of the bellows	Silicone
Design	Mushroom button - Front plate mounting
Form	Round

Color	
- Colour of the operating element	■ Black
- Colour of the bellows	■ Black
- Colour of the front ring	■ Silver
Weight	50
Manner of using	
Can be illuminated (Y/N)	No
Emergency-Stop button (Y/N)	No

## Mechanical data

---

Mechanical life	100.000 operations
resistance to shock	30 g / 18 ms
Latching (Y/N)	Yes
Unlocking type	Draw unlocking
Probing possible (Y/N)	No
mounting flange available (Y/N)	Yes
Snap mechanism integrated in device head (Y/N)	Yes
External snap mechanism (Y/N)	No
Front plate thickness	
- min. front plate thickness	1.5
- max. front plate thickness	6
Tightening torque for fixing screws	0,6

## Ambient conditions

---

Ambient temperature	
- Min. environmental temperature	-25
- Max. environmental temperature	+80
Storage and transport temperature	
- Min. Storage and transport temperature	-
- Max. Storage and transport temperature	-
Fully insulated (Y/N)	Yes
Sealing type	membrane, lip seal
Protection type IP	IP67, IP69K

## Dimensions

---

Dimensions	
- Height	45 mm
- diameters for the actuating heads	Ø 50
- Hole, diameter	22.3 + 0,4
Spacing	50 x 50

## Documents

---

**Operating instructions and Declaration of conformity (it)** 1 MB, 13.06.2019

Code: mrl\_programme-e-n-r\_it

**Operating instructions and Declaration of conformity (en)** 1 MB, 06.11.2018

Code: mrl\_programme-e-n-r\_en

**Operating instructions and Declaration of conformity (pl)** 1 MB, 13.06.2019

Code: mrl\_programme-e-n-r\_pl

**Operating instructions and Declaration of conformity (jp)** 2 MB, 28.06.2017

Code: mrl\_programme-e-n-r\_jp

**Operating instructions and Declaration of conformity (pt)** 1 MB, 21.12.2018

Code: mrl\_programme-e-n-r\_pt

**Operating instructions and Declaration of conformity (de)** 1 MB, 06.11.2018

Code: mrl\_programme-e-n-r\_de

**Operating instructions and Declaration of conformity (es)** 1 MB, 05.12.2018

Code: mrl\_programme-e-n-r\_es

**Operating instructions and Declaration of conformity (nl)** 1 MB, 05.12.2018

Code: mrl\_programme-e-n-r\_nl

**Operating instructions and Declaration of conformity (fr)** 1 MB, 05.12.2018

Code: mrl\_programme-e-n-r\_fr

**Operating instructions and Declaration of conformity (cn)** 2 MB, 21.06.2017

Code: mrl\_programme-e-n-r\_cn

**IPA Data (en)** 248 kB, 09.11.2012

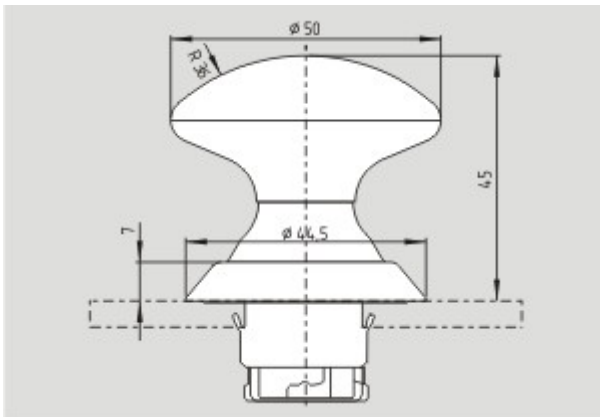
Code: i\_ipap02

**IPA Data (de)** 255 kB, 05.09.2014

Code: i\_ipap01

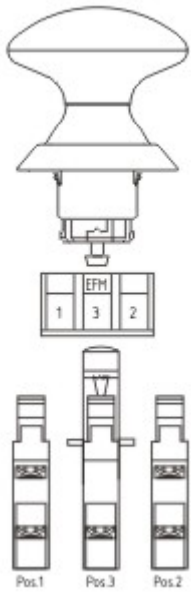
## Images

---



Dimensional drawing (basic component)

---



Application

---

## System components

---

### contact element



### contact element EF - (N)

- Flat plug-in connector
  - Mounting flange position 2
  - 21-22 (Contact labelling)
- 

K.A. Schmersal GmbH & Co. KG, Mödinghofe 30, D-42279 Wuppertal

The data and values have been checked thoroughly. Technical modifications and errors excepted.

Generiert am 15.11.2019 - 09:31:52h Kasbase 3.3.0.F.64I