

Datasheet - NMLBL

Command and signalling devices / Push buttons and pilot lights - "N" Program / NML - Illuminated signal



- flat dome
- for Ba9S LED's

(Minor differences between the printed image and the original product may exist!)

Ordering details

Product type description	NMLBL
Article number	101174519
EAN Code	4250116201389
eCl@ss	27-37-12-11

Approval

Approval	USA/CAN BG
----------	---------------

Global Properties

Permanent light	NML - Illuminated signal
Standards	IEC/EN 60947-1, EN 60947-5-1
Compliance with the Directives (Y/N)	Yes
Suitable for safety functions (Y/N)	No
Mounting	mounting flange ELM
Mounting position	arbitrarily
Materials	
- Material of the dome	PA (12)
- Material of the front ring	ABS, Chromium-plated
Design	LED - Illuminated signal - Front plate mounting
Form	round, flat dome
Color	

- Colour of the dome	■ Blue
- Colour of the front ring	■ Silver
Weight	30
Can be illuminated (Y/N)	Yes

Mechanical data

mounting flange available (Y/N)	Yes
Front plate thickness	
- min. front plate thickness	1.5
- max. front plate thickness	6
Tightening torque for fixing screws	0,6

Ambient conditions

Ambient temperature	
- Min. environmental temperature	-25
- Max. environmental temperature	+80
Storage and transport temperature	
- Min. Storage and transport temperature	-
- Max. Storage and transport temperature	-
Fully insulated (Y/N)	Yes
Sealing type	membrane, lip seal, Form seals
Protection type IP	IP67, IP69K

LED switching conditions display

With integrated LED (Y/N)	No
- for 24 VAC/DC	

Dimensions

Dimensions	
- Height	
- Diameter total Ø	44.5 mm
Height of the dome	2
Diameter of the dome	26
Hole, diameter	22.3 + 0,4
Spacing	50 x 50

Documents

Operating instructions and Declaration of conformity (it) 1 MB, 13.06.2019

Code: mrl_programme-e-n-r_it

Operating instructions and Declaration of conformity (en) 1 MB, 06.11.2018

Code: mrl_programme-e-n-r_en

Operating instructions and Declaration of conformity (pl) 1 MB, 13.06.2019

Code: mrl_programme-e-n-r_pl

Operating instructions and Declaration of conformity (jp) 2 MB, 28.06.2017

Code: mrl_programme-e-n-r_jp

Operating instructions and Declaration of conformity (pt) 1 MB, 21.12.2018

Code: mrl_programme-e-n-r_pt

Operating instructions and Declaration of conformity (de) 1 MB, 06.11.2018

Code: mrl_programme-e-n-r_de

Operating instructions and Declaration of conformity (es) 1 MB, 05.12.2018

Code: mrl_programme-e-n-r_es

Operating instructions and Declaration of conformity (nl) 1 MB, 05.12.2018

Code: mrl_programme-e-n-r_nl

Operating instructions and Declaration of conformity (fr) 1 MB, 05.12.2018

Code: mrl_programme-e-n-r_fr

Operating instructions and Declaration of conformity (cn) 2 MB, 21.06.2017

Code: mrl_programme-e-n-r_cn

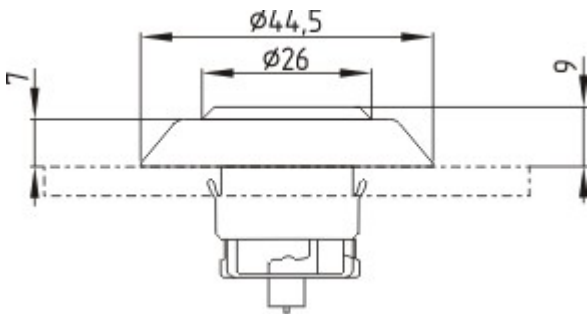
IPA Data (en) 248 kB, 09.11.2012

Code: i_ipap02

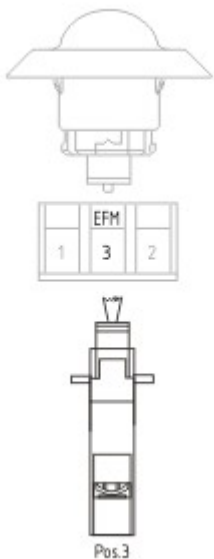
IPA Data (de) 255 kB, 05.09.2014

Code: i_ipap01

Images



Dimensional drawing (basic component)



Application

System components

Light terminal block



101167385 - ELDEKWS24

- Cage clamps
- Mounting flange position 3
- white LED
- 24 VAC/DC



101167384 - ELDEKBL24

- Cage clamps
- Mounting flange position 3
- blue LED
- 24 VAC/DC



101006534 - ELE230

- not suitable for operation with filament lamp or glow lamp



101006532 - ELE48

- not suitable for operation with filament lamp or glow lamp



101006529 - ELE

- Print with LED symbol



101167368 - ELEK

- Print with LED symbol