

## Datasheet - SEPG 05.3.3.1.22/95

Two-hand control panels / SEPG 05.3



(Minor differences between the printed image and the original product may exist!)

- light alloy die-casting
- 2 part enclosure
- Stand and wall mounting possible
- Ergonomic operation
- The terminal blocks and relay can be mounted in the inner part
- Operating panel suitable for at least 8 additional command devices and indicator lights
- Holes drilled under the cover and central hole  $\varnothing = 22,3\text{mm}$
- Emergency Stop button in metal version  $\varnothing 40\text{ mm}$
- 2 black operating buttons (positioning parts)  $\varnothing 40\text{ mm}$  in Plasticdesign


### Ordering details

Product type description	SEPG 05.3.3.1.22/95
Article number	101172761
EAN Code	4250116202904
eCl@ss	27-37-12-19

### Approval

Approval	USA/CAN
----------	---------

### Global Properties

Permanent light	SEPG 05.3
Standards	IEC/EN 60947-5-5, EN ISO 13850, EN 574
Compliance with the Directives (Y/N) 	Yes
Number of operating push buttons (positioning parts)	2
- consisting of	3SB3000-1GA11; 3SB3400-OB; 3SB3400-OC
Number of Emergency Stop button	1
- consisting of	3SB3000-1HA20; 3SB3400-OA
Materials	
- Material of the housings	Aluminium
Housing coating	powder-coated
Weight	4300
Suitable for EMERGENCY-OFF (Y/N)	Yes
Foot (Y/N)	No
Pre-wiring on terminal block (Y/N)	No
Stepped switching (Y/N)	No
Switching block (Y/N)	No
Construction kit possible (Y/N)	Yes
Recommended combinations	SRB201ZH, SRB200ZHX1, SRB201ZHX3

### Mechanical data

Connection type	Screw connection
Cable section	
- Min. Cable section	
- Max. Cable section	1.5
Mechanical life	10.000.000 operations

## Ambient conditions

---

Protection class	IP65
------------------	------

## Electrical data

---

Number of shutters	2
Number of openers	2
Rated insulation voltage	440
Thermal test current	10 A
Utilisation category	AC-15: 250 V / 8 A DC-13: 24 V / 5 A

## Dimensions

---

Dimensions	
- Width	494 mm
- Height	184 mm
- Depth	160 mm
diameters for the actuating heads	
- Emergency stop latching pushbutton	40
- Operating push buttons (positioning parts)	40

## notice

---

Customer-specific executions (completely pre-wired, special paint, etc.)

4 premachined predetermined breaking points (M25 x 1,5) for the cable gland outputs

1 NO/1 NC contact per unit, 1 NO/1 NC contact for Emergency-Stop

Central part suitable for fitting of up to 10 additional command devices and indicator lights (Ø 22 mm)

Optional: actuators with low actuating force

## Keywords

---

Two-hand control panels

## Documents

---

**Operating instructions and Declaration of conformity** (pt) 1 MB, 06.04.2017

Code: mrl\_sep\_pt

**Operating instructions and Declaration of conformity** (es) 1 MB, 16.02.2017

Code: mrl\_sep\_es

**Operating instructions and Declaration of conformity** (cn) 2 MB, 23.11.2018

Code: mrl\_sep\_cn

**Operating instructions and Declaration of conformity** (it) 1 MB, 29.06.2017

Code: mrl\_sep\_it

**Operating instructions and Declaration of conformity (de)** 1 MB, 11.01.2017

Code: mrl\_sep\_de

**Operating instructions and Declaration of conformity (fr)** 1 MB, 01.03.2017

Code: mrl\_sep\_fr

**Operating instructions and Declaration of conformity (nl)** 1 MB, 13.08.2018

Code: mrl\_sep\_nl

**Operating instructions and Declaration of conformity (pl)** 1 MB, 16.02.2017

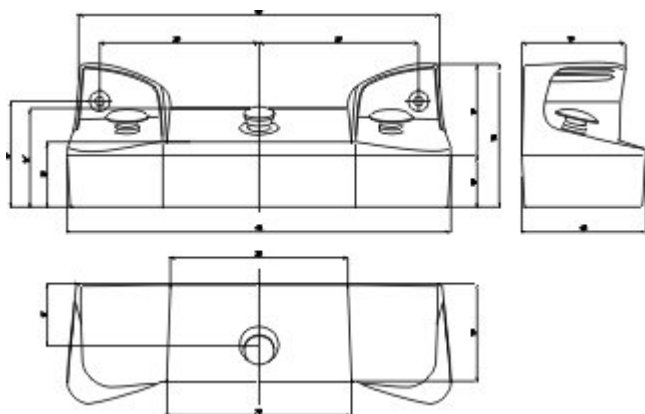
Code: mrl\_sep\_pl

**Operating instructions and Declaration of conformity (en)** 1 MB, 11.01.2017

Code: mrl\_sep\_en

## Images

---



Dimensional drawing (basic component)

---

## System components

---

### Accessories



#### STPSK - \$missingName\$

- mobile sheet metal bending construction with threaded holes for floor fixation
- with height adjustment
- with Spacer ring
- can be combined with operating panel SEP... and foot switches with protective shields to be used as two-hand foot-operated station



#### STPLC - \$missingName\$

- Welding construction with threaded holes for floor fixation
  - without height adjustment
  - without Spacer ring
  - can be combined with operating panel SEP... to be used as two-hand foot-operated station
- 

#### STP 02.4 - \$missingName\$

- Welding construction with threaded holes for floor fixation
- with height adjustment
- with Spacer ring



---

**STP 02.1 - \$missingName\$**

- Welding construction with threaded holes for floor fixation
- with height adjustment
- without Spacer ring



---

**STP 01.5 - \$missingName\$**

- Welding construction with threaded holes for floor fixation
- without height adjustment
- Fixation of the spacer ring by the user through fixing and welding



---

**STP 01.4 - \$missingName\$**

- Welding construction with threaded holes for floor fixation
- without height adjustment
- with Spacer ring



---

**STP 01.1 - \$missingName\$**

- Welding construction with threaded holes for floor fixation
- without height adjustment
- without Spacer ring



---

**Safety control modules****SRB200ZHX1**

- Monitoring two-hand control panels to EN 574 III A
- 2 safety contacts, STOP 0

**SRB201ZHX3**

- Monitoring two-hand control panels to EN 574 III C
- 2 safety contacts, STOP 0
- 1 Signalling output

---

**SRB201ZH**

- Monitoring two-hand control panels to EN 574 III C
- 2 safety contacts, STOP 0
- 1 Signalling output



---

K.A. Schmersal GmbH & Co. KG, Möddinghofe 30, D-42279 Wuppertal

The data and values have been checked thoroughly. Technical modifications and errors excepted.

Generiert am 12.11.2019 - 09:17:25h Kasbase 3.3.0.F.64I